

SuperCap rotary actuator with emergency control function and extended functionalities in the IP66 protective housing for adjusting dampers in technical building installations and in laboratories

- Air damper size up to approx. 8 m²
- Nominal torque 40 Nm
- Nominal voltage AC/DC 24 V
- Control Open-close
- Design life SuperCaps: 15 years
- Optimum weather protection for use outdoors (for use in ambient temperatures up to -40°C, there is a separate actuator available with built-in heater ex works)


Technical data

Electrical data	Nominal voltage	AC/DC 24 V	
	Nominal voltage frequency	50/60 Hz	
	Nominal voltage range	AC 19.2...28.8 V / DC 21.6...28.8 V	
	Power consumption in operation	11 W	
	Power consumption in rest position	3 W	
	Power consumption for wire sizing	21 VA	
	Connection supply / control	Cable 1 m, 3 x 0.75 mm ² (halogen-free)	
Parallel operation	Yes (note the performance data)		
Functional data	Torque motor	Min. 40 Nm	
	Setting emergency setting position (POP)	0...100%, adjustable in increments of 10% (POP rotary knob on 0 corresponds to left end stop)	
	Bridging time (PF)	2 s	
	Direction of motion motor	Selectable with switch 0 (ccw rotation) / 1 (cw rotation)	
	Direction of motion emergency control function	Selectable with switch 0...100%	
	Manual override	Gear disengagement with push-button (under protective housing)	
	Angle of rotation	Max. 95°	
	Angle of rotation note	can be limited on both sides with adjustable mechanical end stops	
	Running time motor	150 s / 90°	
	Running time emergency control position	35 s / 90°	
	Running time emergency setting position note	<35 s @ 0...50°C	
	Sound power level motor	52 dB(A)	
	Sound power level emergency control position	61 dB(A)	
	Spindle driver	Universal spindle clamp 14...26.7 mm	
	Position indication	Mechanical	
	Safety	Protection class IEC/EN	III Safety extra-low voltage
		Protection class UL	UL Class 2 Supply
Degree of protection IEC/EN		IP66	
Degree of protection NEMA/UL		NEMA 4, UL Enclosure Type 4	
EMC		CE according to 2004/108/EC	
Certification IEC/EN		IEC/EN 60730-1 and IEC/EN 60730-2-14	
Certification UL		cULus according to UL 60730-1A, UL 60730-2-14 and CAN/CSA E60730-1:02	
Mode of operation		Type 1.AA	
Rated impulse voltage supply / control		0.8 kV	
Control pollution degree		4	
Ambient temperature		-30...50°C	
Ambient temperature note		-40...50°C for actuator with integrated heating	
Non-operating temperature		-40...80°C	
Ambient humidity	100% r.h.		
Maintenance	Maintenance-free		

Technical data

Weight	Weight approx.	4.5 kg
Terms	Abbreviations	POP = Power off position / emergency setting position PF = Power fail delay time / bridging time

Safety notes



- The device must not be used outside the specified field of application, especially not in aircraft or in any other airborne means of transport.
- Only authorised specialists may carry out installation. All applicable legal or institutional installation regulations must be complied during installation.
- Junction boxes must at least correspond with enclosure IP degree of protection!
- The cover of the protective housing may be opened for adjustment and servicing. When it is closed afterwards, the housing must seal tight (see installation instructions).
- The device may only be opened in the manufacturer's factory. It does not contain any parts that can be replaced or repaired by the user.
- The cables must not be removed from the device installed in the interior.
- To calculate the torque required, the specifications supplied by the damper manufacturers concerning the cross-section, the design, the installation site and the ventilation conditions must be observed.
- The device contains electrical and electronic components and must not be disposed of as household refuse. All locally valid regulations and requirements must be observed.
- The actuator is not designed for applications where chemical influences (gases, fluids) are present or for utilisation in corrosive environments in general.
- The actuator may not be used in plenary applications (e.g. suspended ceilings or raised floors).
- The materials used may be subjected to external influences (temperature, pressure, construction fastening, effect of chemical substances, etc.), which cannot be simulated in laboratory tests or field trials. In case of doubt, we definitely recommend that you carry out a test. This information does not imply any legal entitlement. Belimo will not be held liable and will provide no warranty.
- If cables which are not authorised for UL (NEMA) Type 4 applications are guided out of the unit, then flexible metallic cable conduits or suitable threaded cable conduits of equal value are to be used.

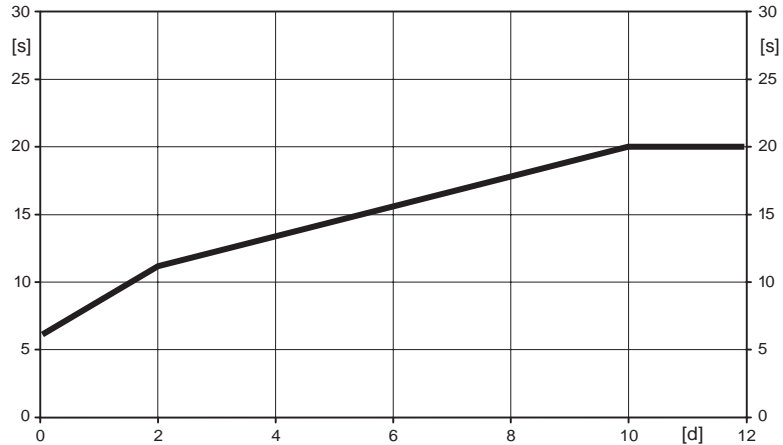
Product features

- Fields of application** The actuator is particularly suitable for utilisation in outdoor applications and is protected against the following weather conditions:
- UV radiation
 - rain / snow
 - dirt / dust
 - Humidity
 - Changing atmosphere / frequent and severe temperature fluctuations (recommendation: use the actuator with integrated factory-installed heating which can be ordered separately to prevent internal condensation)
- Mode of operation** The actuator moves the damper to the desired operating position at the same time as the integrated capacitors are charged. Interrupting the supply voltage causes the damper to be rotated back into the emergency setting position (POP) by means of stored electrical energy.

Product features

Pre-charging time (start up) The capacitor actuators require a pre-charging time. This time is used for charging the capacitors up to a usable voltage level. This ensures that, in the event of an electricity interruption, the actuator can move at any time from its current position into the preset emergency setting position (POP). The duration of the pre-charging time depends mainly on how long the power was interrupted.

Typical pre-charging time



[d] = Electricity interruption in days

[s] = Pre-charging time in seconds

Delivery condition (capacitors)

The actuator is completely discharged after delivery from the factory, which is why the actuator requires approximately 20 s pre-charging time before initial commissioning in order to bring the capacitors up to the required voltage level.

Simple direct mounting

Simple direct mounting on the damper spindle with an universal spindle clamp, supplied with an anti-rotation device to prevent the actuator from rotating.

Manual override

Manual control with push-button possible - temporary. The gear is disengaged and the actuator decoupled for as long as the button is pressed. The housing cover must be removed for manual override.

High functional reliability

The actuator is overload protected, requires no limit switches and automatically stops when the end stop is reached.

Adjustable angle of rotation

Adjustable angle of rotation with mechanical end stops.

Direction of rotation switch

When actuated, the direction of rotation switch changes the running direction in normal operation. The direction of rotation switch has no influence on the emergency setting position (POP) which has been set.

**Emergency setting position (POP)
rotary knob**

The rotary knob «Emergency setting position» can be used to adjust the desired emergency setting position (POP). The POP range is always in reference to the maximum angle of rotation of the actuator.

The rotary knob always refers to an angle of rotation range of 95° and does not take into account any retroactively adjusted end stops.

In the event of an electricity interruption, the actuator will move into the selected emergency setting position (POP), taking into account the bridging time (PF) of 2 s which is set ex-works.

Accessories

	Description	Type
Electrical accessories	Auxiliary switch, add-on, 1 x SPDT	S1A
	Auxiliary switch, add-on, 2 x SPDT	S2A
	Feedback potentiometer 140 Ohm, add-on	P140A
	Feedback potentiometer 200 Ohm, add-on	P200A
	Feedback potentiometer 500 Ohm, add-on	P500A
	Feedback potentiometer 1 kOhm, add-on	P1000A
	Feedback potentiometer 2.8 kOhm, add-on	P2800A
	Feedback potentiometer 5 kOhm, add-on	P5000A
	Feedback potentiometer 10 kOhm, add-on	P10000A
Mechanical accessories	Description	Type
	Cable gland, for cable diameter 4-10	Z-KB-PG11

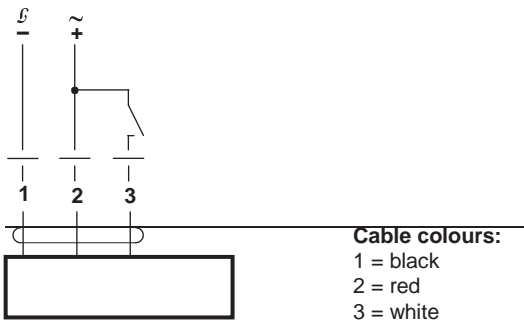
Electrical installation

! **Notes**

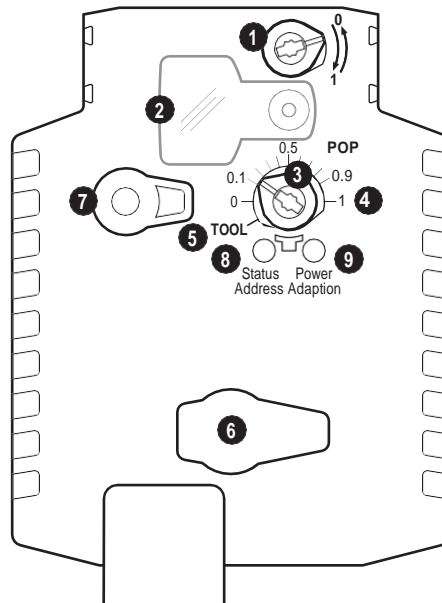
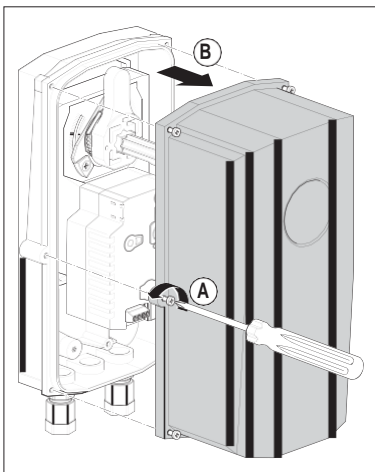
- Connection via safety isolating transformer.
- Parallel connection of other actuators possible. Observe the performance data.

Wiring diagrams

AC/DC 24 V, open-close



Operating controls and indicators

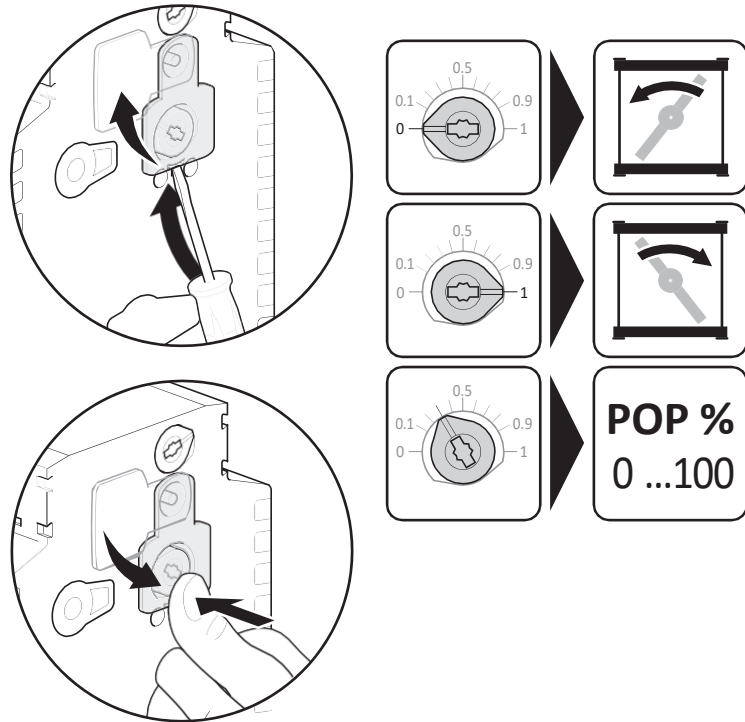


- 1 Direction of rotation switch
- 2 Cover, POP button
- 3 POP button
- 4 Scale for manual adjustment
- 6 (no function)
- 7 Disengagement button

LED display	Meaning / function
● green	
On	Operation OK / without fault
Flashing	POP function active
Off	- Not in operation - Pre-charging time SuperCap - Fault SuperCap

Operating controls and indicators

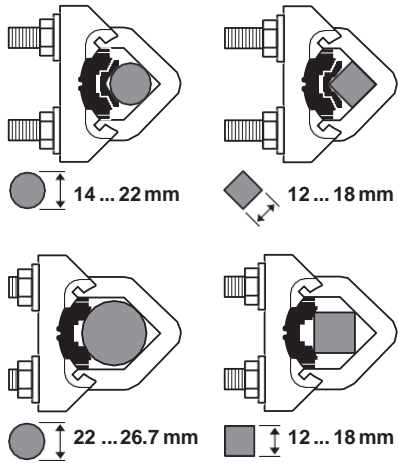
Setting emergency setting position (POP)



Dimensions [mm]

Spindle length

	-
	16...75



Dimensional drawings

