



# Carbon Monoxide Detector E2630-CO



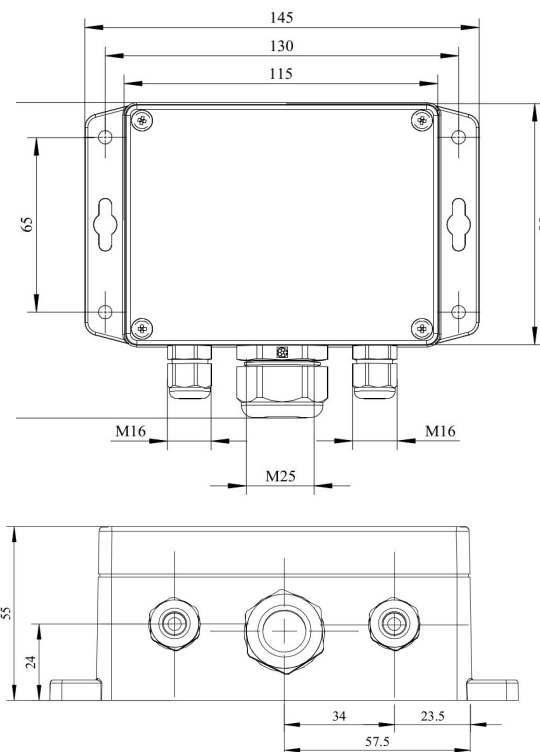
## Features

- Accurate and stable measurement
- Wall-mount IP65 protected housing
- Visual and acoustic alarms
- Two output relays for alarm / ventilation control

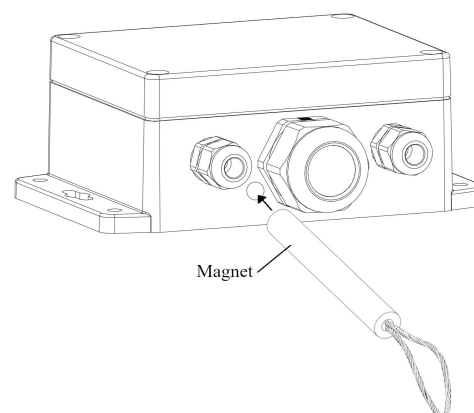
## Specifications

Calibration	Carbon monoxide CO
Sensor type	Electrochemical
Sampling method	Diffusion
Typical detection range	Standard 0...200 ppm high 0...1000 ppm CO
Accuracy	± (3% of range + 5 ppm CO)
Response time	ca. 30 s
Signal update	Every 1 second
Sensor lifetime	> 10 years
Maintenance interval	12 months
Self-diagnostics	Full functionality check at start-up, testing by magnetic switch
Warm-up time	≤ 1 min
Power supply	24 VDC/AC ±20% (default) or 230 VAC (optional)
Power consumption	< 2 VA
Digital interface	UART
Output relays	2 relays with switch-over contact (SPDT), 250 VAC / 30 VDC, 5 A max
Default alarm set-points for 0...200 ppm range	Release - LOW - HIGH 18 - 25 - 125 ppm
for 0...1000 ppm range	88 - 125 - 250 ppm
Alarms	Blinking LED, buzzer 85 dB
Enclosure	Grey ABS plastic, wall mount, protection class IP65
Dimensions	H140 × W145 × D55 mm
Operating conditions	-20...+50 °C 0...90% RH non-condensing; 0,9...1,1 atm; Explosion-safe areas Non-aggressive atmosphere

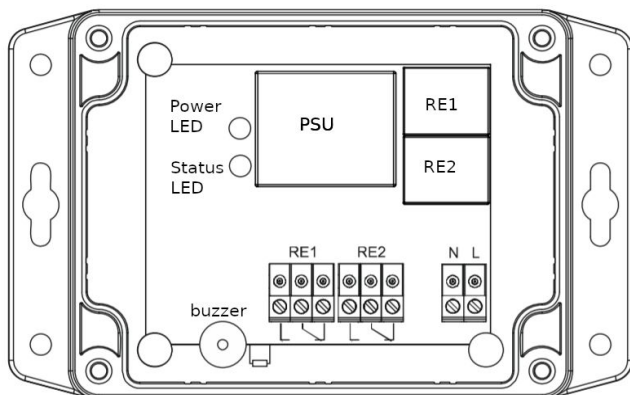
## Dimensions



## Magnet key



## Connection diagram



### Terminals

<b>RE1 NO</b>	Relay 1, normally open terminal
<b>RE1 COM</b>	Relay 1, common terminal
<b>RE1 NC</b>	Relay 1, normally closed terminal
<b>RE2 NO</b>	Relay 2, normally open terminal
<b>RE2 COM</b>	Relay 2, common terminal
<b>RE2 NC</b>	Relay 2, normally closed terminal
<b>L</b>	90...265 VAC Phase (optional 24 VAC / VDC)
<b>N</b>	90...265 VAC Neutral (optional 24 VAC / VDC)