



Two Channel Gas Detectors E2632



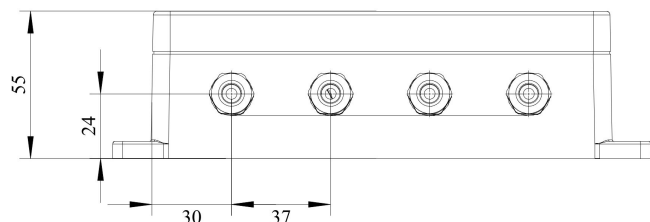
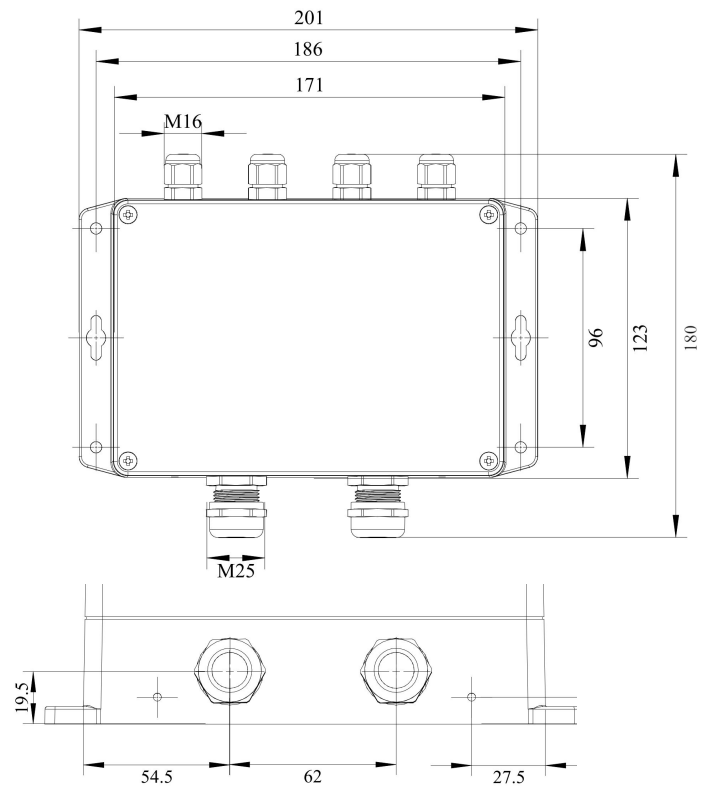
Features

- Simultaneous detection of two gases
- Accurate and stable measurement
- Wall-mount IP65 protected housing
- Visual and acoustic alarms
- Two output relays for alarm / ventilation control

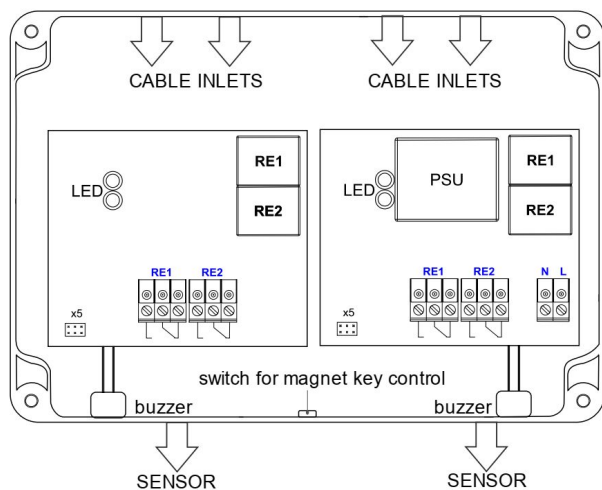
Specifications

| | |
|-----------------------|--|
| Sensor type | Depends on detected gases available are: metal oxide sensors, electrochemical sensors |
| Sampling method | Diffusion |
| Signal update | Every 1 second |
| Warm-up time | ≤ 1 min |
| Power supply | 24 VDC/AC ±20% (default) or 230 VAC (optional) |
| Power consumption | < 4 VA |
| Digital interface | UART |
| Output relays | 2 relays with switch-over contact (SPDT), 250 VAC / 30 VDC, 5 A max |
| Alarm set-points | Depending on target gas and application |
| Alarms | Blinking LED, buzzer 85 dB |
| Enclosure | Grey wall-mount ABS plastic, protection class IP65 |
| Dimensions | H123 × W201 × D55 mm |
| Output cable | Max Ø8 mm |
| Operating environment | Residential, business and industrial indoor spaces |
| Operating conditions | 15...95 %RH, atmospheric pressure ±10% Non-ATEX rated areas temperature depends on the sensor |

Dimensions



Connection diagram



Terminals

| | |
|----------------|--|
| RE1 NO | Relay 1, normally open terminal |
| RE1 COM | Relay 1, common terminal |
| RE1 NC | Relay 1, normally closed terminal |
| RE2 NO | Relay 2, normally open terminal |
| RE2 COM | Relay 2, common terminal |
| RE2 NC | Relay 2, normally closed terminal |
| L | 90...265 VAC Phase (optional 24 VAC / VDC) |
| N | 90...265 VAC Neutral (optional 24 VAC / VDC) |

Magnet key

