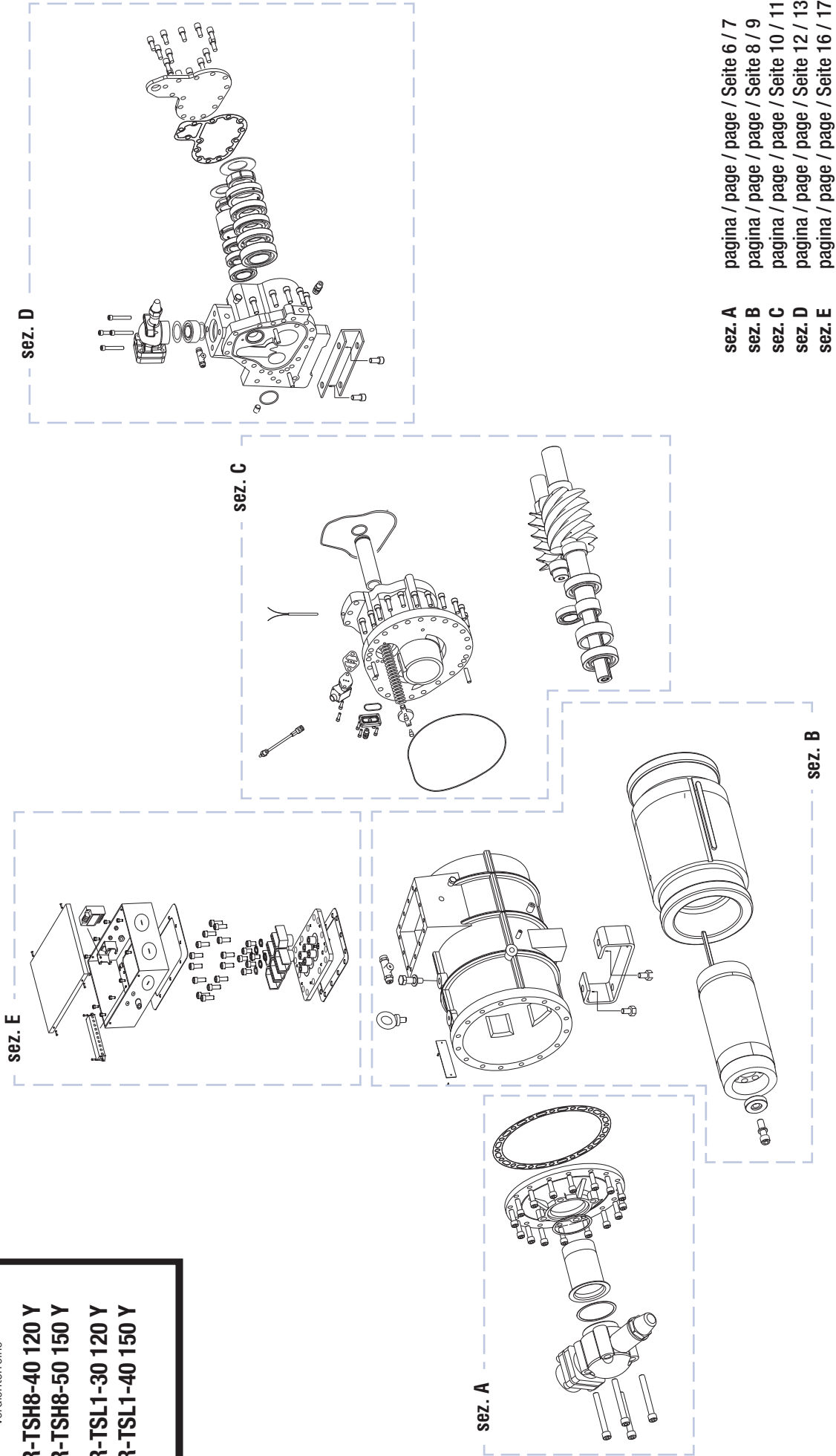


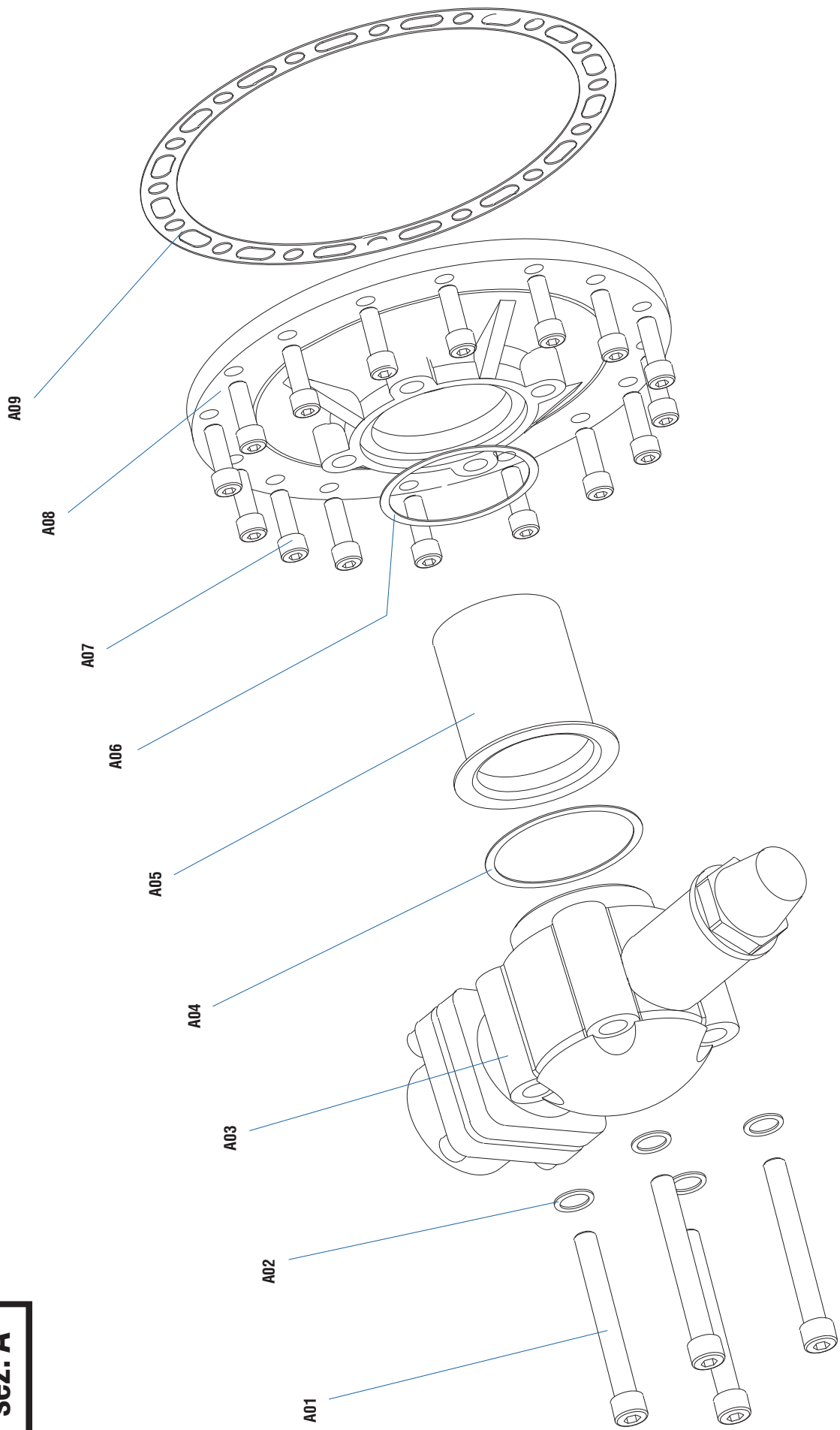
Compressore modello  
 Compressor model  
 Model du compresseur  
 Verdichterreihe

**R-TSH8-40 120 Y**  
**R-TSH8-50 150 Y**  
**R-TSL1-30 120 Y**  
**R-TSL1-40 150 Y**



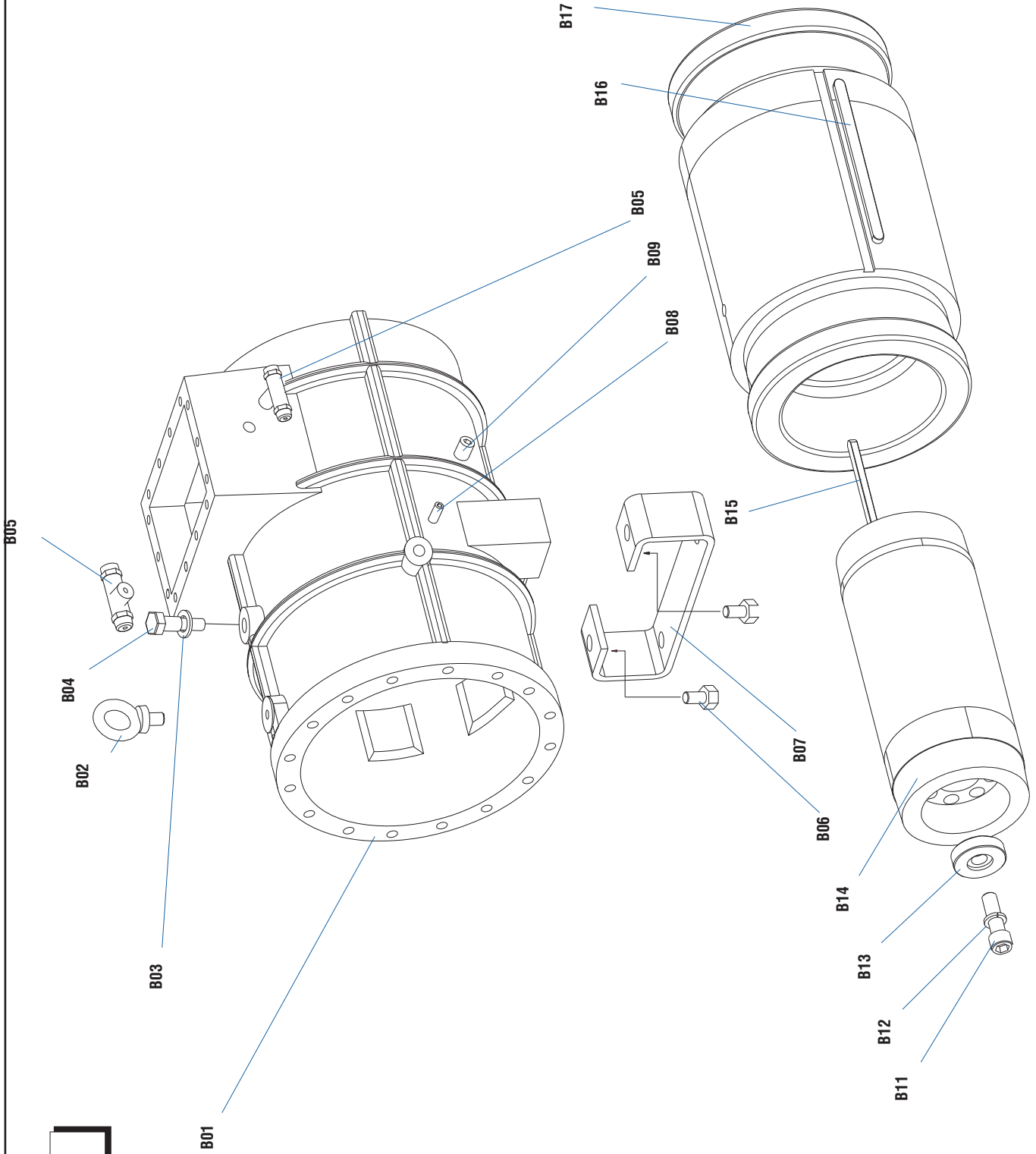
|               |                                      |
|---------------|--------------------------------------|
| <b>sez. A</b> | pagina / page / page / Seite 6 / 7   |
| <b>sez. B</b> | pagina / page / page / Seite 8 / 9   |
| <b>sez. C</b> | pagina / page / page / Seite 10 / 11 |
| <b>sez. D</b> | pagina / page / page / Seite 12 / 13 |
| <b>sez. E</b> | pagina / page / page / Seite 16 / 17 |

**sez. A**



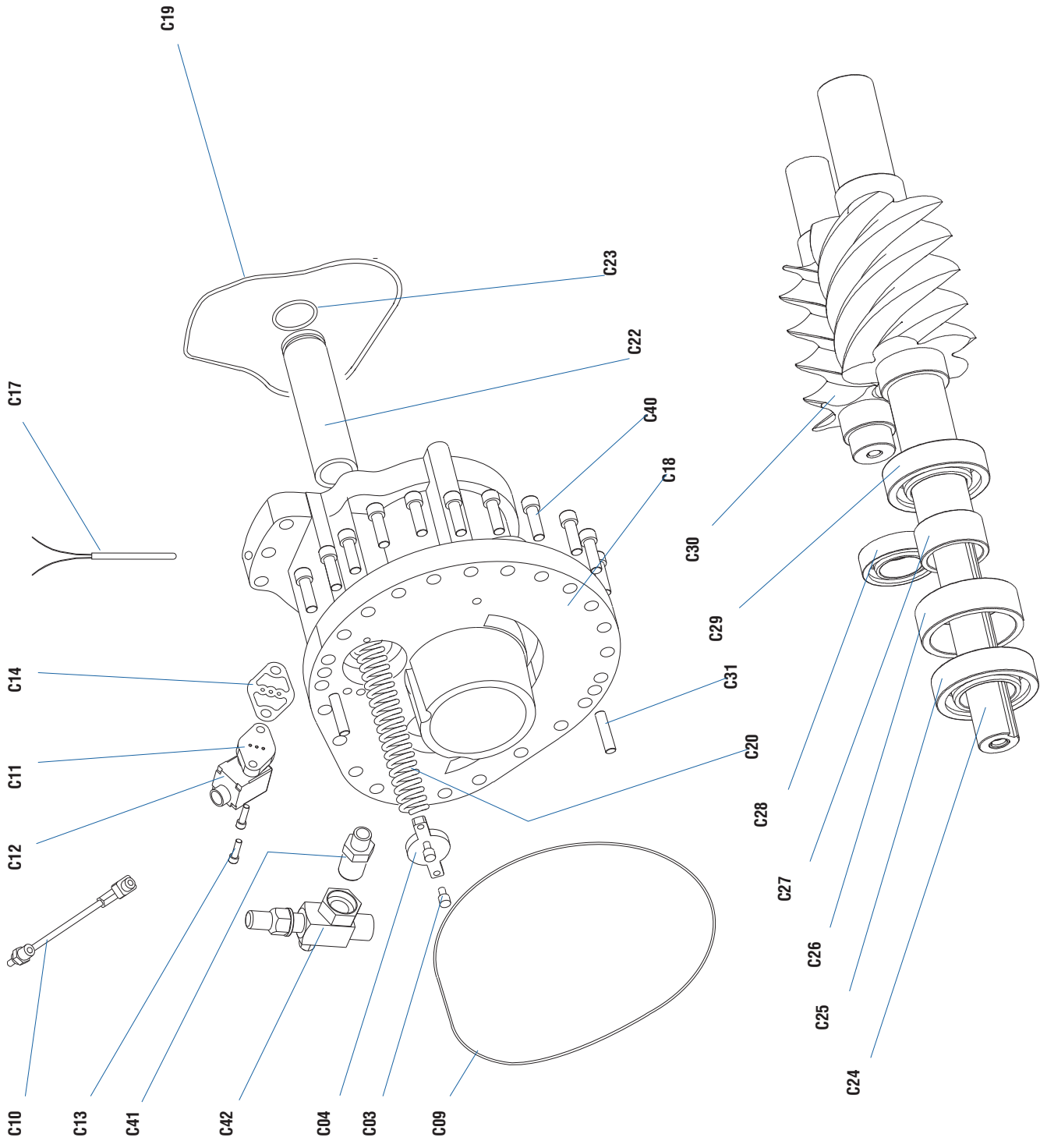
| <b>rif.<br/>ref.<br/>ref.<br/>Pos.</b> | <b>descrizione</b>                          | <b>description</b>                   | <b>désignation</b>                        | <b>Benennung</b>                 |                   | <b>R-TSH8-40 120 Y</b> | <b>R-TSH6-50 150 Y</b> | <b>R-TSL1-30 120 Y</b> | <b>R-TSL1-40 150 Y</b> |
|--|---|--------------------------------------|---|----------------------------------|-------------------|------------------------|------------------------|------------------------|------------------------|
| A01                                    | vite M16x110 ISO4762                        | screw M16x110 ISO4762                | vis M16x110 ISO4762                       | Schraube M16x110 ISO4762         |                   | 4                      | 4                      | 4                      | 4                      |
| A02                                    | rondella Ø16 ISO7089                        | washer Ø16 ISO7089                   | rondelle Ø16 ISO7089                      | Scheibe Ø16 ISO7089              |                   | 4                      | 4                      | 4                      | 4                      |
| A03                                    | rubinetto di aspirazione                    | suction valve                        | robinet d'aspiration                      | Saugventil                       | ↳ 203             | 1                      | 1                      | 1                      | 1                      |
| n.i.                                   | guarnizione rubinetto di aspirazione/codolo | gasket suction valve/pipe connection | joint robinet d'aspiration/racord de tube | Dichtung Saugventil/Rohranschluß | ↳ 201             | 1                      | 1                      | 1                      | 1                      |
| A04                                    | guarnizione                                 | gasket                               | joint                                     | Dichtung                         | ↳ 201 ↳ 202 ↳ 203 | 1                      | 1                      | 1                      | 1                      |
| A05                                    | filtro di aspirazione                       | suction strainer                     | filtre d'aspiration                       | Saugfilter                       | ↳ 202             | 1                      | 1                      | 1                      | 1                      |
| A06                                    | guarnizione                                 | gasket                               | joint                                     | Dichtung                         | ↳ 201 ↳ 202 ↳ 203 | 1                      | 1                      | 1                      | 1                      |
| A07                                    | vite M12x30 ISO4762                         | screw M12x30 ISO4762                 | vis M12x30 ISO4762                        | Schraube M12x30 ISO4762          |                   | 16                     | 16                     | 16                     | 16                     |
| A08                                    | flangia di aspirazione                      | suction flange                       | couvercle d'aspiration                    | Saugflansch                      |                   | 1                      | 1                      | 1                      | 1                      |
| A09                                    | guarnizione                                 | gasket                               | joint                                     | Dichtung                         | ↳ 201             | 1                      | 1                      | 1                      | 1                      |
|  |   |                                      |   |                                  |                   |                        |                        |                        |                        |
|  |   |                                      |   |                                  |                   |                        |                        |                        |                        |
|  |   |                                      |   |                                  |                   |                        |                        |                        |                        |
|  |   |                                      |   |                                  |                   |                        |                        |                        |                        |
|  |   |                                      |   |                                  |                   |                        |                        |                        |                        |
|  |   |                                      |   |                                  |                   |                        |                        |                        |                        |
|  |   |                                      |   |                                  |                   |                        |                        |                        |                        |
|  |   |                                      |   |                                  |                   |                        |                        |                        |                        |
|  |   |                                      |   |                                  |                   |                        |                        |                        |                        |
|  |   |                                      |   |                                  |                   |                        |                        |                        |                        |
|  |   |                                      |   |                                  |                   |                        |                        |                        |                        |
|  |   |                                      |   |                                  |                   |                        |                        |                        |                        |
|  |   |                                      |   |                                  |                   |                        |                        |                        |                        |
|  |   |                                      |   |                                  |                   |                        |                        |                        |                        |
|  |   |                                      |   |                                  |                   |                        |                        |                        |                        |
|  |   |                                      |   |                                  |                   |                        |                        |                        |                        |

**sez. B**



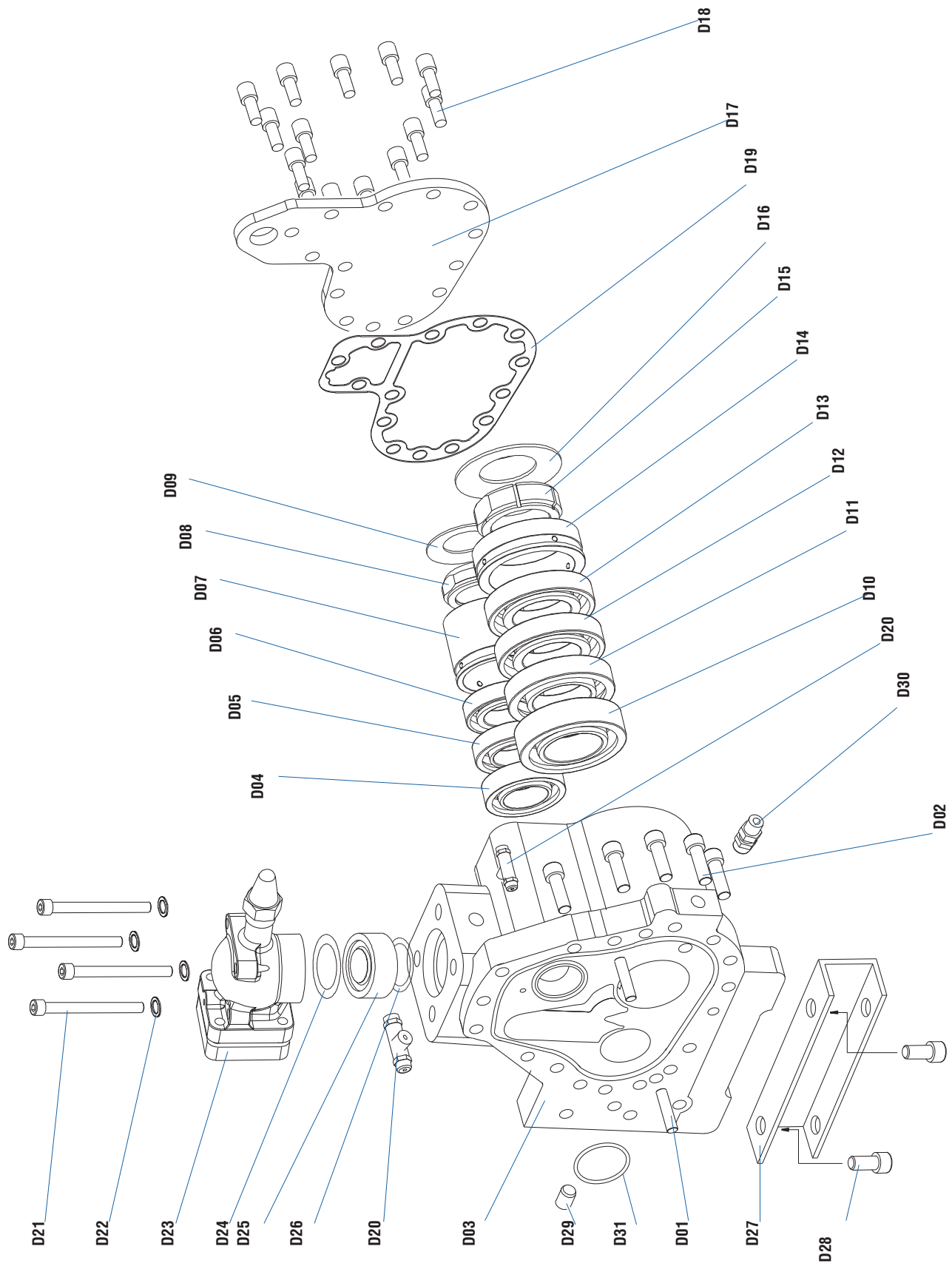


**sez. C**



| rif.<br>ref.<br>ref.<br>Pos. | description                                     | désignation                           | Benennung                                    | code<br>code<br>code<br>Code          | R-TSH8-40 120 Y | R-TSH8-50 150 Y | R-TSL1-30 120 Y | R-TSL1-40 150 Y |
|------------------------------|---|---------------------------------------|--|---------------------------------------|-----------------|-----------------|-----------------|-----------------|
| C03                          | vite M6x16 ISO 4762                             | screw M6x16 ISO 4762                  | vis M6x16 ISO 4762                           | Schraube M6x16 ISO 4762               | 2               | 2               | 2               | 2               |
| C04                          | fermo della molla di parzializzazione           | spring stopper                        | fermeture du ressort                         | Anschlagbolzen                        | 1               | 1               | 1               | 1               |
| C09                          | O-ring  | O-ring                                | O-ring                                       | O-Ring                                | 1               | 1               | 1               | 1               |
| C10                          | tubo olio del dispositivo controllo di capacità | oil tube for capacity control device  | conduite d'huile                             | Ölleitung                             | 1               | 1               | 1               | 1               |
| C11                          | valvola elettromagnetica controllo di capacità  | solenoid valve for capacity control   | valve électromagnétique contrôle de capacité | Magnetventil für Leistungsregulierung | 1               | 1               | 1               | 1               |
| C12                          | bobina 230V 50-60Hz                             | coil 230V 50-60Hz                     | bobine 230V 50-60Hz                          | Spule 230V 50-60Hz                    | 1               | 1               | 1               | 1               |
| C13                          | vite M10x25 ISO4762                             | screw M10x25 ISO4762                  | vis M10x25 ISO4762                           | Schraube M10x25 ISO4762               | 2               | 2               | 2               | 2               |
| C14                          | guarnizione                                     | gasket                                | joint  | Dichtung                              | 1               | 1               | 1               | 1               |
| C17                          | sensore max. temperatura di compressione        | sensor for max. discharge temperature | sensor max. température de refoulement       | Druckgastemperaturfühler              | 1               | 1               | 1               | 1               |
| C18                          | corpo viti                                      | screw housing                         | corps rotors                                 | Läufergehäuse                         | 1               | 1               | 1               | 1               |
| C19                          | O-ring  | O-ring                                | O-ring                                       | O-Ring                                | 1               | 1               | 1               | 1               |
| C20                          | molla del pistone controllo capacità            | capacity control spring               | ressort contrôle de capacité                 | Feder Leistungsregulierung            | 1               | 1               | 1               | 1               |
| C22                          | pistone controllo capacità (50%)                | capacity control piston (50%)         | piston contrôle de capacité (50%)            | Kolben Leistungsregulierung (50%)     | 1               | 1               | 1               | 1               |
| C23                          | O-ring  | O-ring                                | O-ring                                       | O-Ring                                | 1               | 1               | 1               | 1               |
| C24                          | vite maschio                                    | male screw                            | vis principal                                | Hauptläufer                           | 1               | 1               | 1               | 1               |
| C25                          | cuscinetto a rulli                              | roller-bearing                        | roulement à rouleaux                         | Zylinderrollenlager                   | 1               | 1               | 1               | 1               |
| C26                          | distanziale                                     | spacer                                | tôle   | Distanzring                           | 1               | 1               | 1               | 1               |
| C27                          | distanziale                                     | spacer                                | tôle   | Distanzring                           | 1               | 1               | 1               | 1               |
| C28                          | cuscinetto a rulli                              | roller-bearing                        | roulement à rouleaux                         | Zylinderrollenlager                   | 1               | 1               | 1               | 1               |
| C29                          | cuscinetto a rulli                              | roller-bearing                        | roulement à rouleaux                         | Zylinderrollenlager                   | 1               | 1               | 1               | 1               |
| C30                          | vite femmina                                    | female screw                          | vis secondaire                               | Nebenläufer                           | 1               | 1               | 1               | 1               |
| C31                          | spina di accoppiamento 12x50 ISO8734            | dowel pin 12x50 ISO8734               | goupille cylindrique 12x50 ISO8734           | Zylinderstift 12x50 ISO8734           | 2               | 2               | 2               | 2               |
| C40                          | vite M12x45 ISO4762                             | screw M12x45 ISO4762                  | vis M12x45 ISO4762                           | Schraube M12x45 ISO4762               | 18              | 18              | 18              | 18              |
| C40                          | vite M12x35 ISO4762                             | screw M12x35 ISO4762                  | vis M12x35 ISO4762                           | Schraube M12x35 ISO4762               | 6               | 6               | 6               | 6               |
| C41                          | attacco rotolock ritorno olio dal separatore    | rotolock connection for oil return    | raccord rotolock retour d'huile              | Rotolock Anschluß Ölrückführung       | 1               | 1               | 1               | 1               |
| n.i.                         | guarnizione per attacco rotolock                | gasket for rotolock connection        | joint raccord rotolock                       | Dichtung für Rotolockanschluß         | 1               | 1               | 1               | 1               |
| C42                          | rubinetto rotolock ritorno olio dal separatore  | rotolock valve for oil return         | robinet retour d'huile                       | Ölrückführventil                      | 1               | 1               | 1               | 1               |
|                              |   |                                       |  |                                       |                 |                 |                 |                 |
|                              |   |                                       |  |                                       |                 |                 |                 |                 |
|                              |   |                                       |  |                                       |                 |                 |                 |                 |
|                              |   |                                       |  |                                       |                 |                 |                 |                 |
|                              |   |                                       |  |                                       |                 |                 |                 |                 |
|                              |   |                                       |  |                                       |                 |                 |                 |                 |

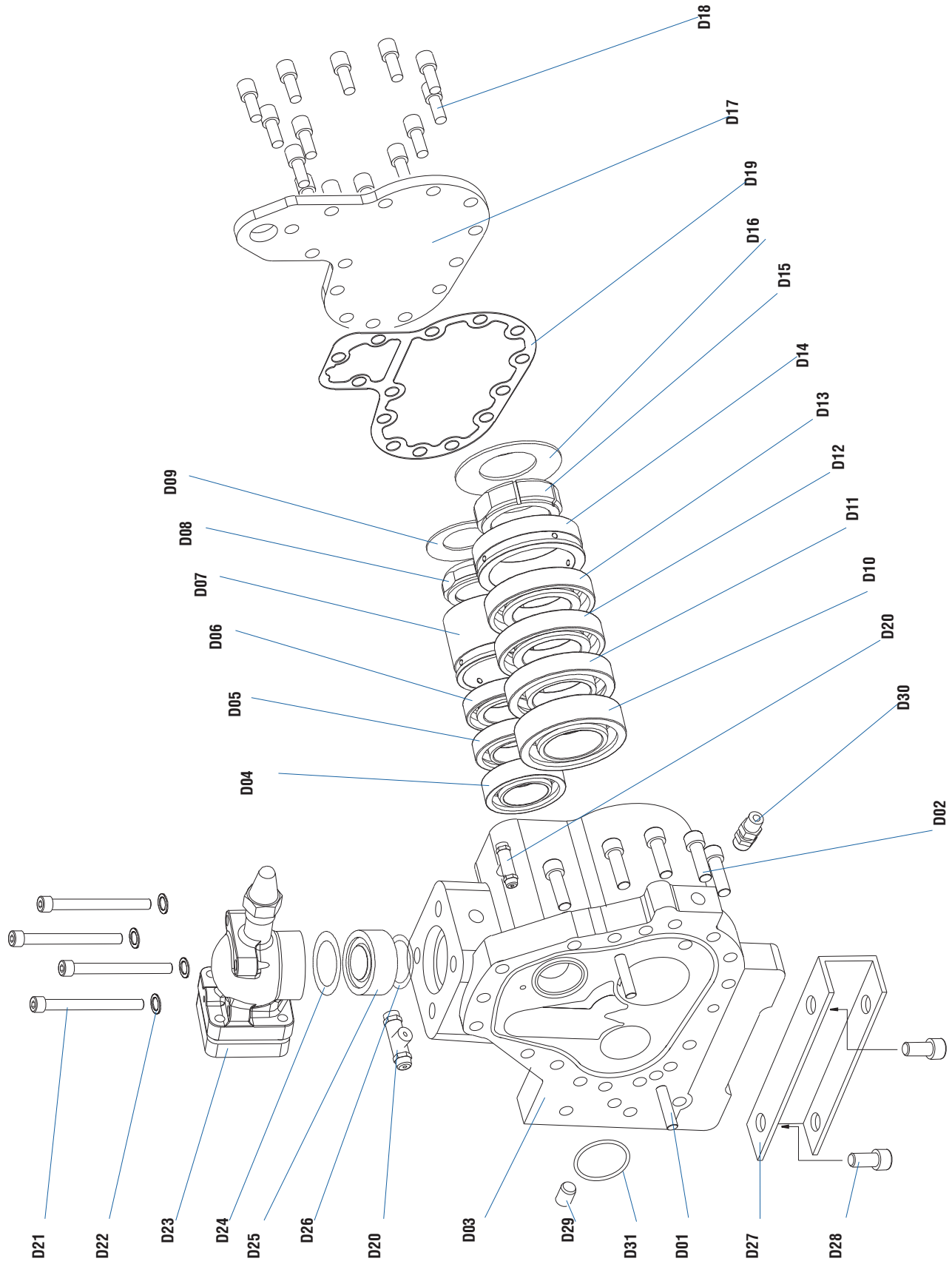
**sez. D**





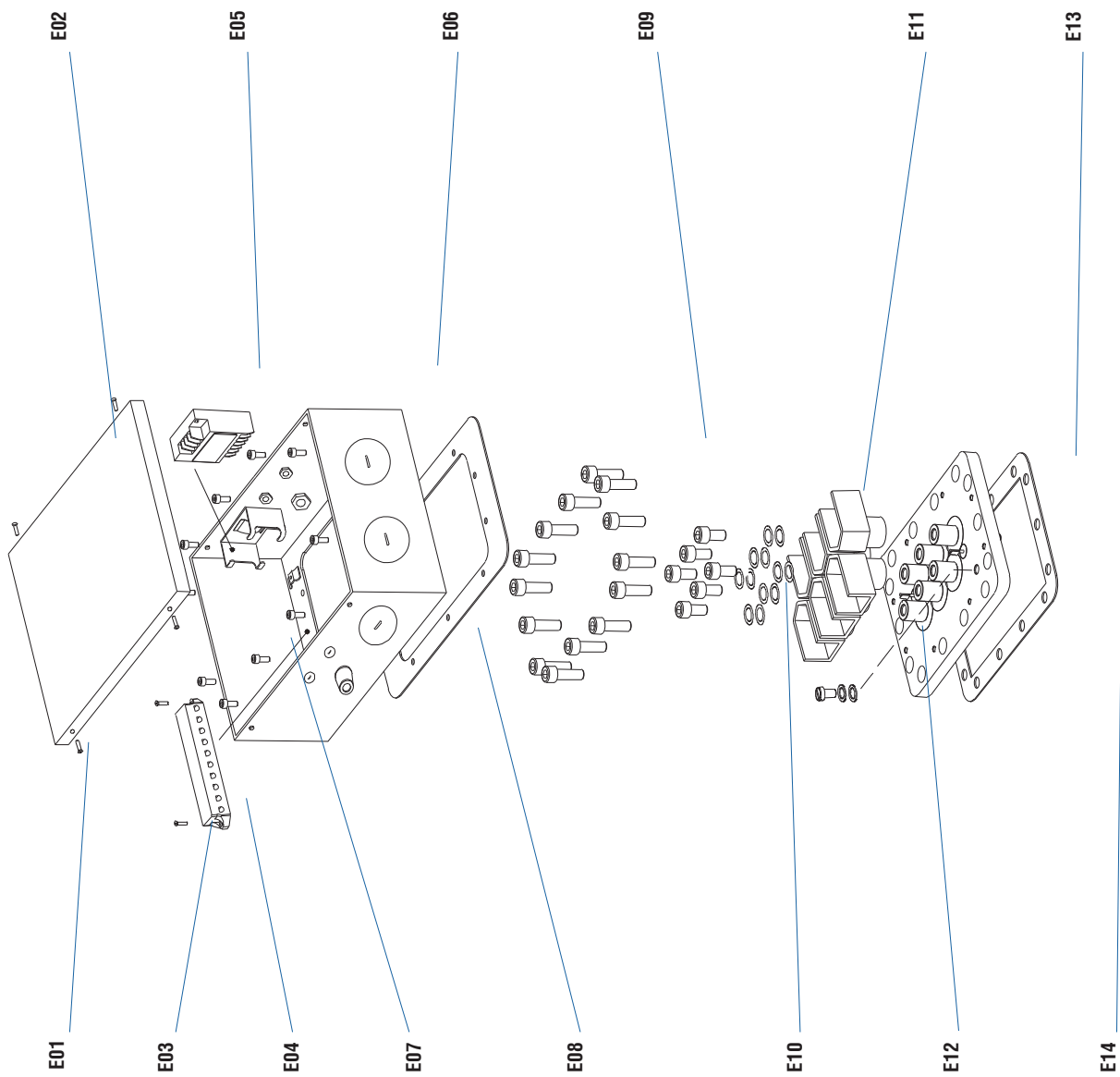
| rif. ref. Pos. | descrizione                                  | description                            | désignation                                 | Benennung                         | code code code Code | R-TSH8-40 120 Y | R-TSH8-50 150 Y | R-TSL1-30 120 Y | R-TSL1-40 150 Y |
|----------------|--|--|---|-----------------------------------|---------------------|-----------------|-----------------|-----------------|-----------------|
| D01            | spina di accoppiamento M12x50 ISO8734        | dowel pin M12x50 ISO8734               | goupille cylindrique M12x50 ISO8734         | Zylinderstift M12x50 ISO8734      |                     | 2               | 2               | 2               | 2               |
| D02            | vite M12x45 ISO4762                          | screw M12x45 ISO4762                   | vis M12x45 ISO4762                          | Schraube M12x45 ISO4762           |                     | 17              | 17              | 17              | 17              |
| D02            | vite M12x70 ISO4762                          | screw M12x70 ISO4762                   | vis M12x70 ISO4762                          | Schraube M12x70 ISO4762           |                     | 3               | 3               | 3               | 3               |
| D03            | corpo portacuscinetti                        | bearings housing                       | corps roulements                            | Lagergehäuse                      |                     | 1               | 1               | 1               | 1               |
| D04            | cuscinetto a rulli                           | roller-bearing                         | roulement à rouleaux                        | Zylinderrollenlager               | ▶ 207               | 1               | 1               | 1               | 1               |
| D05            | cuscinetto a sfere                           | ball-bearing                           | roulement à billes                          | Kugellager                        | ▶ 207               | 1               | 1               | 1               | 1               |
| D06            | cuscinetto a sfere                           | ball-bearing                           | roulement à billes                          | Kugellager                        | ▶ 207               | 1               | 1               | 1               | 1               |
| D07            | distanziale                                  | spacer                                 | tôle  | Distanzring                       | ▶ 207               | 1               | 1               | 1               | 1               |
| D08            | ghiera di fissaggio                          | grooved nut                            | écrou de fixation                           | Stellmutter                       | ▶ 207               | 1               | 1               | 1               | 1               |
| D09            | molla a tazza                                | spring                                 | ressort                                     | Druckfeder                        | ▶ 207               | 1               | 1               | 1               | 1               |
| D10            | cuscinetto a rulli                           | roller-bearing                         | roulement à rouleaux                        | Zylinderrollenlager               | ▶ 207               | 1               | 1               | 1               | 1               |
| D11            | cuscinetto a sfere                           | ball-bearing                           | roulement à billes                          | Kugellager                        | ▶ 207               | 1               | 1               | 1               | 1               |
| D12            | cuscinetto a sfere                           | ball-bearing                           | roulement à billes                          | Kugellager                        | ▶ 207               | 1               | 1               | 1               | 1               |
| D13            | cuscinetto a sfere                           | ball-bearing                           | roulement à billes                          | Kugellager                        | ▶ 207               | 1               | 1               | 1               | 1               |
| D14            | distanziale                                  | spacer                                 | tôle  | Distanzring                       | ▶ 207               | 1               | 1               | 1               | 1               |
| D15            | ghiera di fissaggio                          | grooved nut                            | écrou de fixation                           | Stellmutter                       | ▶ 207               | 1               | 1               | 1               | 1               |
| D16            | molla a tazza                                | spring                                 | ressort                                     | Druckfeder                        | ▶ 207               | 1               | 1               | 1               | 1               |
| D17            | flangia lato compressione                    | discharge flange                       | bride de pression                           | Druckflanschdeckel                |                     | 1               | 1               | 1               | 1               |
| D18            | vite M12x30 ISO4762                          | screw M12x30 ISO4762                   | vis M12x30 ISO4762                          | Schraube M12x30 ISO4762           |                     | 14              | 14              | 14              | 14              |
| D19            | guarnizione                                  | gasket                                 | joint                                       | Dichtung                          | ▶ 201               | 1               | 1               | 1               | 1               |
| D20            | raccordo di alta pressione                   | high pressure adaptor                  | raccord haute pression                      | Hochdruckanschluß                 |                     | 2               | 2               | 2               | 2               |
| D21            | vite M12x120 ISO4762                         | screw M12x120 ISO4762                  | vis M12x120 ISO4762                         | Schraube M12x120 ISO4762          |                     | 4               | 4               | 4               | 4               |
| D22            | rondella Ø12 ISO7089                         | washer Ø12 ISO7089                     | robdelle Ø12 ISO7089                        | Scheibe Ø12 ISO7089               |                     | 4               | 4               | 4               | 4               |
| D23            | rubinetto di compressione                    | discharge valve                        | robinet de refoulement                      | Druckventil                       | ▶ 208               | 1               | 1               | 1               | 1               |
| n.i.           | guarnizione rubinetto di compressione/codolo | gasket discharge valve/pipe connection | joint robinet de refoulement/record de tube | Dichtung Druckventil/Rohranschluß | ▶ 201 ▶ 208 ▶ 209   | 1               | 1               | 1               | 1               |
| D24            | guarnizione                                  | gasket                                 | joint                                       | Dichtung                          | ▶ 201 ▶ 208 ▶ 209   | 1               | 1               | 1               | 1               |
| D25            | valvola di ritegno                           | check valve                            | clapet de retenue                           | Rückschlagventil                  | ▶ 209               | 1               | 1               | 1               | 1               |
| D26            | guarnizione                                  | gasket                                 | joint                                       | Dichtung                          | ▶ 201 ▶ 208 ▶ 209   | 1               | 1               | 1               | 1               |
| D27            | staffa di supporto                           | mounting foot                          | semelle de fixation                         | Montagefuß                        |                     | 1               | 1               | 1               | 1               |
|                |  |  |   | <b>segue a pagina 15</b>          |                     |                 |                 |                 |                 |
|                |  |  |   | <b>continued on page 15</b>       |                     |                 |                 |                 |                 |
|                |  |  |   | <b>suite à la page 15</b>         |                     |                 |                 |                 |                 |
|                |  |  |   | <b>weiter auf Seite 15</b>        |                     |                 |                 |                 |                 |

**sez. D**





**sez. E**





| rif. ref. Pos. | description  | désignation   | Benennung                          | codice code code Code      | R-TSH8-40 120 Y | R-TSH8-50 150 Y | R-TSL1-30 120 Y | R-TSL1-40 150 Y |
|----------------|--|---|------------------------------------|----------------------------|-----------------|-----------------|-----------------|-----------------|
|                | <b>ASSIEME RICAMBI</b>   | <b>SPARE PART KITS</b>  | <b>ENSEMBLE PIÈCES DÉTACHÉES</b>   |                            |                 |                 |                 |                 |
| 201            | serie guarnizioni, comprende rif.:<br>A04, A06, A09, C09, C14, C19, C23, D19, D24, D26, D31, E14 | gasket kit, includes ref.:<br>jeu de joints comprenant:                           | Dichtungssatz kompl. einsch. Pos.: | T00WK1011                  | 1               | 1               | 1               | 1               |
| 202            | ass. filtro di aspirazione, comprende rif.:<br>A04, A05, A06                                     | suction filter kit, includes ref.:<br>kit filtre d'aspiration comprenant:         | Saugfilter kompl. einsch. Pos.:    | T00WK290010                | 1               | 1               | 1               | 1               |
| 203            | ass. rubinetto di aspirazione, comprende rif.:<br>A03, A04, A06                                  | suction valve kit, includes ref.:   | Saugventil kompl. einsch. Pos.:    | T00WK100110                | 1               | 1               | 1               | 1               |
| 204            | motore elettrico completo 22 kW (30 HP)<br>380-420/3/50 440-460/3/60 Δ / ΔΔ PWS                  | complete electric motor 22 kW (30 HP)<br>ensemble moteur électrique 22 kW (30 HP) | Einbaumotor 22 kW (30 PS)          | T00WK3000025               |                 |                 | 1               |                 |
| 204            | comprende rif.:<br>B03, B04, B08, B09, B12, B13, B14, B15, B16, B17                              | includes ref.:  | einschl. Pos.:                     |                            |                 |                 |                 |                 |
| 204            | motore elettrico completo 30 kW (40 HP)<br>380-420/3/50 440-460/3/60 Δ / ΔΔ PWS                  | complete electric motor 30 kW (40 HP)<br>ensemble moteur électrique 30 kW (40 HP) | Einbaumotor 30 kW (40 PS)          | T00WK3000075               |                 |                 | 1               |                 |
| 204            | comprende rif.:<br>B03, B04, B08, B09, B12, B13, B14, B15, B16, B17                              | includes ref.:  | einschl. Pos.:                     |                            |                 |                 |                 |                 |
| 204            | motore elettrico completo 30 kW (40 HP)<br>380-420/3/50 440-460/3/60 Δ / ΔΔ PWS                  | complete electric motor 30 kW (40 HP)<br>ensemble moteur électrique 30 kW (40 HP) | Einbaumotor 30 kW (40 PS)          | T00WK3000075               | 1               |                 |                 |                 |
| 204            | comprende rif.:<br>B03, B04, B08, B09, B12, B13, B14, B15, B16, B17                              | includes ref.:  | einschl. Pos.:                     |                            |                 |                 |                 |                 |
| 204            | motore elettrico completo 37 kW (50 HP)<br>380-420/3/50 440-460/3/60 Δ / ΔΔ PWS                  | complete electric motor 37 kW (50 HP)<br>ensemble moteur électrique 37 kW (50 HP) | Einbaumotor 37 kW (50 PS)          | T00WK3000100               | 1               |                 |                 |                 |
| 204            | comprende rif.:<br>B03, B04, B08, B09, B12, B13, B14, B15, B16, B17                              | includes ref.:  | einschl. Pos.:                     |                            |                 |                 |                 |                 |
| 205            | ass. valvola elettromagnetica c.c., comprende rif.:<br>C11, C12, C14                             | capacity control solenoid valve kit, includes ref.:                               | comprenant:                        | einschl. Pos.: T00WK220310 |                 |                 | 1               | 1               |

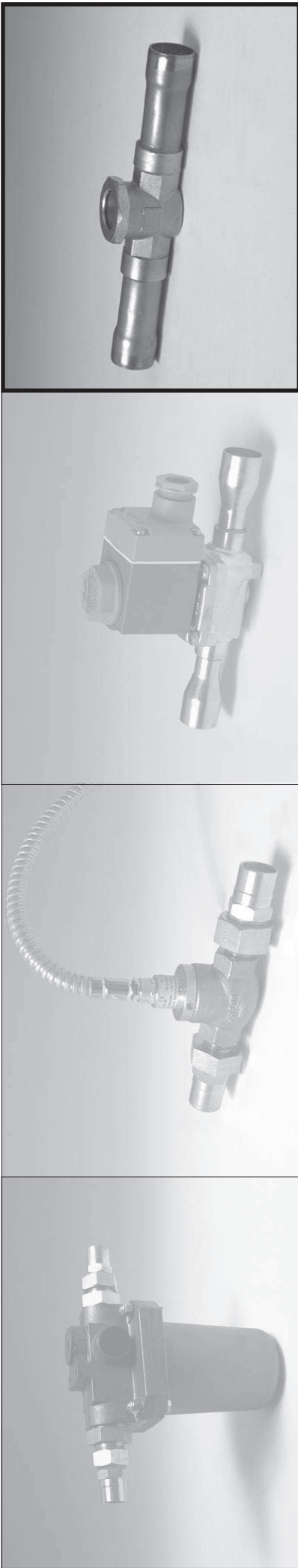
| rif.<br>ref.<br>ref.<br>Pos. | description   | désignation                                       | Benennung  | R-TSH8-40 120 Y | R-TSH8-50 150 Y | R-TSL1-30 120 Y | R-TSL1-40 150 Y | codice<br>code<br>code<br>Code |
|------------------------------|---|---|--|-----------------|-----------------|-----------------|-----------------|--------------------------------|
| 206                          | ass. cuscinetti lato aspirazione, comprende rif.: suction side bearings kit, includes ref.:<br>C25, C26, C27, C28, C29  | ens. roulements côté aspiration comprenant:       | Saugseite Lagersatz, einschli. Pos.:             | 1               | 1               | 1               | 1               | T00WK300030                    |
| 207                          | ass. cuscinetti lato compressione, incl. rif.: discharge side bearings kit, includes ref.:<br>D04, D05, D06, D07, D08, D09, D10, D11, D12, D13, D14, D15, D16 | ens. roulements côté reboulement comprenant:      | Druckseite Lagersatz einschli. Pos.:             | 1               | 1               | 1               | 1               | T00WK300020                    |
| 208                          | ass. rubinetto di compressione, comprende rif.: discharge valve kit, includes ref.:<br>D23, D24, D26  | ensemble robinet de refoulement comprenant        | Druckventil komplett einschli. Pos.:             | 1               | 1               | 1               | 1               | T00WK100100                    |
| 209                          | ass. valvola di ritegno, comprende rif.: check valve kit, includes ref.:<br>D24, D25, D26   | ensemble clapet de retenue comprenant:            | Rückschlagventil komplett einschli. Pos.:        | 1               | 1               | 1               | 1               | T00WK160010                    |
| 210                          | ass. scatola terminali, comprende rif.: terminal box kit, includes ref.:<br>E01, E02, E03, E04, E06, E08  | ensemble boîtier électrique comprenant:           | Anschlusskasten komplett einschli. Pos.:         | 1               | 1               | 1               | 1               | T00W230A33                     |
| 211                          | ass. piastra terminali, comprende rif.: terminal plate kit, includes ref.:<br>E12, E13, E14   | ensemble boîte à bornes comprenant:               | Anschlussplatte komplett einschli. Pos.:         | 1               | 1               | 1               | 1               | T00WK261010                    |
| 212                          | assieme vite maschio/vite femmina, comprende rif.: male/female screws kit, includes ref.:<br>C24, C30   | ensemble vis principal/vis secondaire comprenant: | komplett Hauptläufer/Nebenläufer einschli. Pos.: | 1               | 1               | 1               | 1               | T00WK150030                    |
| 212                          | assieme vite maschio/vite femmina, comprende rif.: male/female screws kit, includes ref.:<br>C24, C30   | ensemble vis principal/vis secondaire comprenant: | komplett Hauptläufer/Nebenläufer einschli. Pos.: | 1               | 1               | 1               | 1               | T00WK150020                    |











|  | descrizione                      | description              | désignation            | Benennung           | codice<br>code<br>code<br>Code |
|--|----------------------------------|--------------------------|------------------------|---------------------|--------------------------------|
|  | indicatore di passaggio completo | oil sight glass complete | voyant d'huile complet | Schauglass komplett | R-TSH8-40 120 Y<br>1           |
|  |                                  |                          |                        |                     | R-TSH8-50 150 Y<br>1           |
|  |                                  |                          |                        |                     | R-TSL1-30 120 Y<br>1           |
|  |                                  |                          |                        |                     | R-TSL1-40 150 Y<br>1           |
|  |                                  |                          |                        |                     |                                |
|  |                                  |                          |                        |                     |                                |
|  |                                  |                          |                        |                     |                                |
|  |                                  |                          |                        |                     |                                |
|  |                                  |                          |                        |                     |                                |
|  |                                  |                          |                        |                     |                                |
|  |                                  |                          |                        |                     |                                |
|  |                                  |                          |                        |                     |                                |
|  |                                  |                          |                        |                     |                                |
|  |                                  |                          |                        |                     |                                |
|  |                                  |                          |                        |                     |                                |
|  |                                  |                          |                        |                     |                                |
|  |                                  |                          |                        |                     |                                |
|  |                                  |                          |                        |                     |                                |
|  |                                  |                          |                        |                     |                                |
|  |                                  |                          |                        |                     |                                |
|  |                                  |                          |                        |                     |                                |
|  |                                  |                          |                        |                     |                                |
|  |                                  |                          |                        |                     |                                |